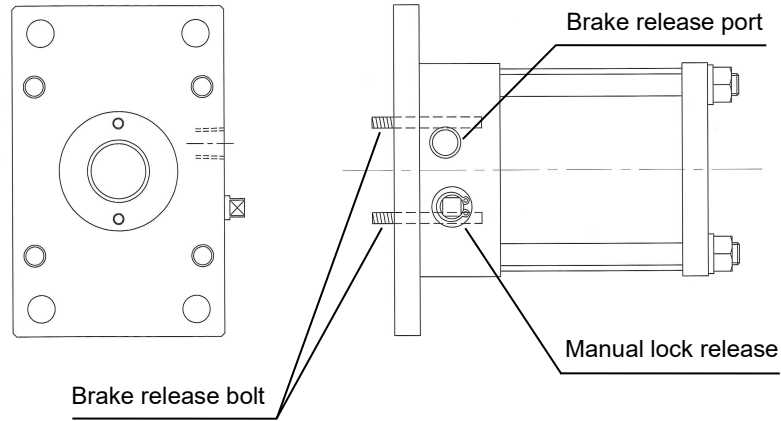


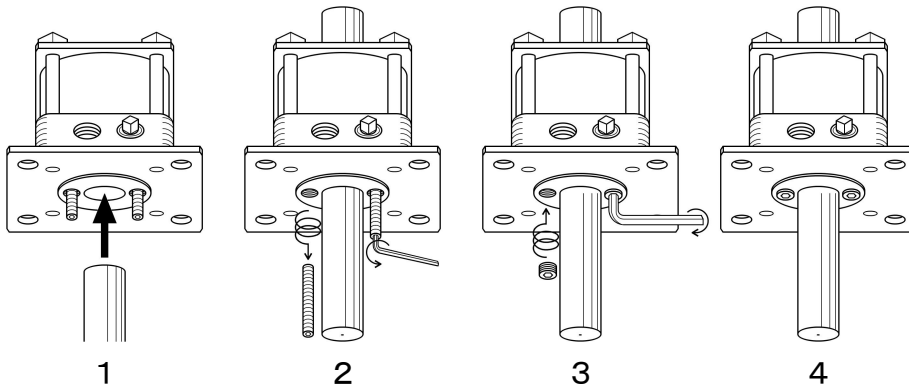
MANUAL

LINEAR BRAKE (MRCB)

The state of the shipment is like a illustration. The rod is not attached.



The brakes are shipped in a state of the release. Take off brake release bolt (2 bolts) after the insertion with a rod, and attach an attached plug (reference to bellow).



Size of plug

Model	Size
MRCB- 40	R 1/16
MRCB- 50	R 1/16
MRCB- 63	R 1/16
MRCB- 80	R 1/16
MRCB-100	R 1/16
MRCB-125	R 1/8

CAUTION

Never loosen brake release bolt without the rod inserted.
Because brakes metal shrinks, brake do not release.



HIROTA MFG. CO., LTD.

HEAD OFFICE 5-89, Ikoma-cho, Kita-ku, Nagoya City, Aichi 462-0832, Japan
Phone +81-52-991-6111 Fax +81-52-991-6115

<https://www.hirotaka.co.jp/eng>